

Energising the whole world



Sealed Maintenance - Free
Valve Regulated Lead - Acid Battery

ES & ESC Battery

Global Battery Co. Ltd., South Korea
formerly known as Global & Yuasa Co. Ltd.

Unlimited Power
ROCKET
Since 1952
BATTERY

INTRODUCTION

INTRODUCTION

The most advanced technology of Rocket, Valve Regulated Lead Acid batteries make them highly useful in a broad range of application. Absorptive glassmat separators are used in these batteries. The use of high-purity calcium alloy maximises the longevity of ROCKET batteries. So you will be assured with ROCKET batteries excellent performance in any circumstance.

ESC Series are specially designed to provide better cyclic life and are ideally suited for areas prone to frequent power failures.

The unique construction coupled with the use of special sealing epoxies and long sealing paths of ROCKET series ensures that no electrolyte leakage can occur from terminals or cases of any ROCKET Batteries. This feature ensures safe & efficient operation of ROCKET batteries in any position.

ROCKET Batteries have excellent Deep Discharge Recovery and Charge Acceptance even after deep or prolonged discharge.

TECHNICAL FEATURES

- Non-Spillable Sealed Construction
- Absorptive Glass Mat System (AGM System)
- ABS(Acrylonitrile Butadiene Styrene) container and cover /Polypropelene as optional
- Gas Recombination
- Maintenance-Free Operation
- Low Pressure Venting System
- Heavy-Duty Grids
- Low Self-Discharge - Long Shelf Life
- Wide Operating Temperature Range
- High Recovery Capability

DESIGNED LIFE :

- ES Series Upto 42 AH Designed for float life of 6 years at an ambient temperature of 25°C / 77°F
- ES 65 AH Designed for float life of 10 years at an ambient temperature of 25°C / 77°F
- ESC Series Designed for float life of 10 years at an ambient temperature of 25°C / 77°F.

MAIN APPLICATIONS

- UPS Systems
- Telecom Communication Equipments
- Fire Alarm & Security Systems
- Medical Instruments
- Computer Backup

SPECIFICATIONS OF ES BATTERIES

BATTERY Type	Nominal Voltage (V)	RATED CAPACITY					MAXIMUM CHARGING CURRENT (A)	CHARGING VOLTAGE		DIMENSIONS (mm) ± 5mm				WEIGHT APPROX KGS + 3%	TERMINAL TYPE
		20HR 1.75 V CELL	10HR 1.75 V CELL	5HR 1.75 V CELL	3HR 1.75 V CELL	1HR 1.75 V CELL		STAND BY USE V	CYCLE USE (V)	LENGTH	WIDTH	HEIGHT	TOTAL HEIGHT		
ES 7-12	12	7	6.28	5.55	4.86	3.72	1.75	13.50 TO 13.80 V at 25(°C) (77°F)	13.50 TO 13.80 V at 25(°C) (77°F)	151	65	94	100	1.90	F2
ES 12-12	12	12	11.08	10.15	9.3	7.34	3			151	98	95	101	3.7	F2
ES18-12	12	18	16.65	15.3	13.77	10.6	4.5			181.5	77	167.5	167	5.32	F3
ES 26-12	12	26	23.93	21.85	20.7	17.8	6.5			166.5	175	125	125	7.6	F3
ES 42-12	12	42	39.78	37.55	31.8	24.2	10.5			197	165	170	170	12.9	M6
ES 65-12	12	65	60.50	56	50.7	35.9	16.25			348	167	178	178	19.2	M6

SPECIFICATIONS OF ESC BATTERIES

ESC 100-12	12	100	91.50	83	70.5	58.9	25	13.50 TO 13.80 V at 25(°C) (77°F)	13.50 TO 13.80 V at 25(°C) (77°F)	330	171	215	222	29.5	M8
ESC 120-12	12	120	108.00	96	84	69.1	30			410	176	227	227	33.5	M8
ESC 150-12	12	150	141.75	133.5	121.5	89.3	37.5			485	172	240	240	42.5	M8
ESC 200-12	12	200	186.75	173.5	141.3	120	50			522	238	218	223	58.5	M8

The Battery Container & Cover are Available in ABS Plastic & Flame Retardant (FR).

COMPLIANCE STANDARDS

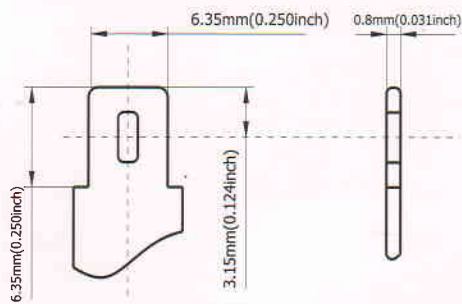
JIS

IEC 60896 PART 1&2

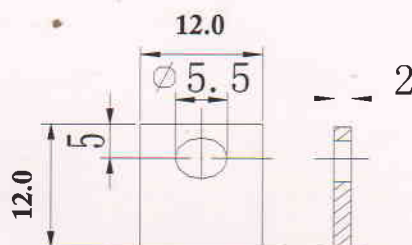
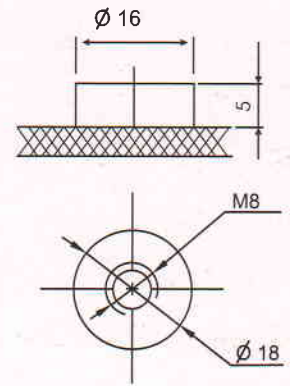
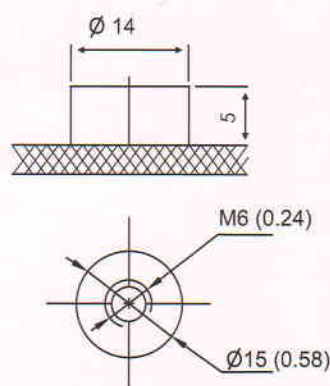
BS6290-4,

Eurobat Guide-HIGH Performance

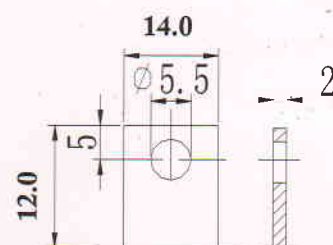
TERMINAL



Terminal F2 (0.250)



Terminal F3



Terminal F4

Note : Above data is only for indicative purpose. For more detail please visit our website www.rocketbatteries.net

NORTH

DELHI

Gate No. 70, A-29,
Rama Road Industrial Area,
Near Kirti Nagar Metro Station,
New Delhi - 110015
Tel: 011-25917646

LUCKNOW

Plot No G-4, Transport Nagar,
Kanpur Road, Lucknow - 12
Tel: 9369492646

CHANDIGARH

Plot No. Industrial Area,
Tress Site, Phase - I,
Chandigarh - 160002
Tel: 9316130646

JAIPUR

Agresen Tower, Shop No. 6,
V. K. I Area, Sikar Road,
Opp. Road No. 4, Jaipur - 302013
Tel: 01415110095

NOIDA

B-96,
Sector 65, Noida Gautam Budh Na
Noida Gautam Budh Nagar
UP-201301

EAST

KOLKATTA

356, Jodhpur Park,
Nr. Aurobindo Seba Kendra,
Kolkatta - 700068
Tel: 033-24229057

PATNA

Vidhya Nilay House,
Nr. Telephone Exchange,
Beni Bagicha, Rajendra Path,
Opp. Hotel Magadh,
Beside of Hyundai Car Showroom,
P.O. GPO, P.S. Gandhi Maidan
Dist. Patna - 8401
Tel: 9334852096

BHUBANESHWAR

Flat No-MIG-II, 13/2,
Plot No. 13/2,
BDA Colony,
Chandrashekharpur, Behind RMRC
Bhubaneswar - 751016
Tel.: 0674-2302057

GUWAHATI

No : 22, Mother Teresa Road,
Near Geetha Nagar Police Station,
Guwahati - 781 021

JAMSHEDPUR

Sardar Surender Singh Complex, Ground Floor,
Hem Singh Bagan, New Kalimati Road,
Sakchi, Jamshedpur - 831 001

WEST

AHMEDABAD

105, Sarthik Square,
Nr. Pakwan Hotel, Beside GNFC Tower,
Satellite-Bodakdev, S.G.Highway,
Ahmedabad-15.
Tel: 079-30122664

PUNE

A2/20, 2nd Floor
Rakshalekha Society, Gajendra Nagar,
Dattawadi, Pune - 412030.
Tel: 9326080646

VAPI

Gala No.29, Plot No.65, Opp. Best,
Paper Mill, Phase-1,
GIDC, Vapi,
Gujarat - 396195
Tel: 0260-2422 646

INDORE

311, 3rd Floor, President Power,
6/2, South Tukoganj
Mahumilan Chouraha,
Indore (MP)-452001.
Tel.: 0731-4068425

SOUTH

BENGALURU

No. 02, 1st Floor,
4th Cross, Jakkasandra,
1st, Block Koramangala,
Bengaluru - 560034
Tel: 080-41135957

CHENNAI

Suit No. 5, Parsn Manere,
1st Floor, 442, Annasalai,
Chennai - 600006
Tel: 044-28280646
TOLL FREE NO.1800-425-0646

SECUNDERABAD

Plot No.36, S.V.Reddy Complex,
Tarbund X Road,
Secunderabad - 500003
Andhra Pradesh
Tel: 040-42402995

COIMBATORE

Old No.80, New No.52,
RVN Layout, New
New Sidhapudur,
Coimbatore-44.
Tel: 09944998383

SPECIAL ECONOMIC ZONE (SEZ) OFFICES

COCHIN

Plot No. 43/A/SDF,
1st Floor, 'D' Block,
Cochin SEZ Kakkaned,
Cochin - 682037
Tel: 0484-2413369

OVERSEAS

ASIA PACIFIC

GLOBAL POWER SOURCE PTE. LTD
10 Ubi Crescent #04-20 Ubi
Techpark Lobby B
Singapore - 408564
Tel: +65 6338 6879

MIDDLE EAST

GLOBAL POWER SOURCE FZE
Executive Suite,
P. O. Box. 121928,
Sharjah - UAE
Tel: +97150 3439297

UNITED KINGDOM

GLOBAL POWER SOURCE (EUROPE) LTD
311 Shoreham Street
Sheffield, S2 4FA,
UK
Tel: +447503163421

EUROPE

GLOBAL POWER SOURCE ITALY S.R.L.
70 Foro Buonaparte,
20121 Milano,
ITALY
Tel: +39-3409874212

CONTACT US

HEAD OFFICE: MUMBAI

Global Powersource (India) Pvt. Ltd.

C-10, Satyam Shopping Centre, M.G. Road,
Ghatkopar (East), Mumbai - 400077

Tel: 022-2102 8646 / 4046 0646 • Fax: 022-2102 1042

Email: info@rocketbatteries.net • Website: www.rocketbatteries.net

Unlimited Power
ROCKET
Since 1952
BATTERY